

# Thermometer

type 5550/4 stainless steel

adjustable stem - with weld-in thermowell TW55 type D

E 10.03.02

Ed.23.01

<b>Design</b>	Thermometer in stainless steel with adjustable stem in stainless steel. Compression fitting for mounting with weld-in thermowell TW55 type D
<b>Type</b>	<b>5550/4</b>
<b>Design</b>	EN 13190
<b>Case diameter</b>	Dim 100 mm
<b>Accuracy Class</b>	1,0% acc.to DIN EN 13190
<b>Case</b>	Stainless steel with bayonet type bezel Option with liquid filled case (max 0+250°C) Option with liquid filled case (Food compatible)
<b>Glass</b>	Instrumentglass Option with laminated safety glass, clear non-splintering plastic
<b>Dial</b>	White dial of aluminium with unit Celsius °C Option dial with unit °F or unit °C+F
<b>Temperature element</b>	Coiled bimetal
<b>Working temperature</b>	90% of range by permanent measuring 100% by short time measuring
<b>Weather protection</b>	IP 65 acc.to EN 60529 On special request IP 66 or IP 67
<b>Location of stem</b>	Rotatable case on stem, every angle
<b>Stem</b>	Ø 6 of stainless steel 1.4571
<b>Length of stem</b>	L <sub>1</sub> -130, 195 or 255 mm Suited for thermowell D1, D2, D4 and D5
<b>Connection</b>	Compression fitting M18x1,5
<b>Working pressure</b>	Max pressure rating without thermowell = 25 bar
<b>Ambient temperature</b>	Max -40+70°C
<b>Electrical device</b>	Electrical kontakt see datasheet E10.03.06
<b>Ex ATEX</b>	Option with Ex ATEX protection
<b>Certificate (option)</b>	EN 10204-2.2 Test report State-of-the-art EN 10204-3.1 Certification of class and accuracy EN 10204-3.1 Accuracy calibration values listed
<b>Thermowell TW55</b>	Weld-in thermowell TW55 type D1, D2, D4 or D5 Inspection certificate 3.1 EN 10204 Material certificate: Wetted parts material with mill certificate incl. chemical analysis Charge number and material designation



Thermometer 5550/4  
with weld-in thermowell

# Thermometer

type 5550/4 stainless steel

adjustable stem - with weld-in thermowell TW55 type D

E 10.03.02

## Code number for thermometer 5550/4

Thermometer 5550/4 dim 100 mm  
with adjustable stem Ø 6 mm  
and compression fitting M18x1,5



Type	Range	Connection	L1-130x6	L1-195x6	L1-255x6
5550/4	-30 + 50°C	M18x1,5	55504626	55504628	55504630
5550/4	-40 + 80°C	M18x1,5	55504426	55504428	55504430
5550/4	-20 + 60°C	M18x1,5	55504826	55504828	55504830
5550/4	0 + 60°C	M18x1,5	55500226	55500228	55500230
5550/4	0 + 80°C	M18x1,5	55505026	55505028	55505031
5550/4	0 + 100°C	M18x1,5	55500327	55500329	55500330
5550/4	0 + 120°C	M18x1,5	55500426	55500428	55500430
5550/4	0 + 160°C	M18x1,5	55500726	55500728	55500730
5550/4	0 + 200°C	M18x1,5	55500826	55500828	55500830
5550/4	0 + 250°C	M18x1,5	55501026	55501028	55501030
5550/4	0 + 300°C	M18x1,5	55501526	55501528	55501530
5550/4	0 + 400°C	M18x1,5	55501726	55501728	55501730
5550/4	0 + 500°C	M18x1,5	55501826	55501828	55501830
5550/4	0 + 600°C	M18x1,5	55502026	55502028	55502030

## Code number

Thermowell TW 55 DIN 43772 form 4  
Material certificate 3.1 EN 10204  
Wetted parts material with mill certificate  
incl. chemical analysis  
Charge number and material designation



Material - standard	D 1	D 2	D 4	D 5
Carbon steel P250GH (1.0460) (C22.8)	75101901	75101902	75101904	75101905
Stainless steel 1.4571	75102001	75102002	75102004	75102005
Carbon steel 1.7335 (13CrMo4-5)	75102101	75102102	75102104	75102105

Material - special	D 1	D 2	D 4	D 5
Carbon steel 1.5415 (15Mo3/16Mo3)	75102601	75102602	75102604	75102605
Carbon steel 1.7380 (10CrMo910)	75102301	75102302	75102304	75102305
Chromium/Molybdenum alloy steel F91	75102501	75102502	75102504	75102505
Stainless steel Duplex F51 (1.4462)	75102201	75102202	75102204	75102205
Stainless steel 1.4539	75102701	75102702	75102704	75102705
Stainless steel 304/304L (1.4307)	75102901	75102902	75102904	75102905

Immersion length thermometer	L1-130x6 mm	L1-195x6 mm	L1-195x6 mm	L1-255x6 mm
------------------------------	-------------	-------------	-------------	-------------

# Thermometer

type 5550/4 stainless steel

adjustable stem - with weld-in thermowell TW55 type D

E 10.03.02

## Code number for thermometer 5550/4

Thermometer 5550/4 dim 100 mm  
adjustable stem Ø 6 mm  
and compression fitting M18x1,5

Completed with weld-in thermowell TW55 type D

Material certificate 3.1 EN 10204

Wetted parts material with mill certificate  
incl. chemical analysis

Charge number and material designation



Thermometer 5550/4 dim 100 with TW55 Carbon steel P250GH (1.0460) (C22.8)	D 1	D 2	D 4	D 5
	L1-130x6	L1-195x6	L1-195x6	L1-255x6
-30 + 50°C	55506401	55506402	55506404	55506405
0 + 60°C	55505201	55505202	55505204	55505205
0 + 80°C	55505301	55505302	55505304	55505305
0 + 100°C	55506301	55506302	55506304	55506305
0 + 120°C	55505401	55505402	55505404	55505405
0 + 160°C	55505501	55505502	55505504	55505505
0 + 200°C	55505901	55505902	55505904	55505905
0 + 250°C	55505601	55505602	55505604	55505605
0 + 300°C	55505801	55505802	55505804	55505805
0 + 400°C	55506701	55506702	55506704	55506705
0 + 500°C	55506801	55506802	55506804	55506805
0 + 600°C	55506901	55506902	55506904	55506905

Thermometer 5550/4 dim 100 with TW55 Stainless steel 1.4571	D 1	D 2	D 4	D 5
	L1-130x6	L1-195x6	L1-195x6	L1-255x6
-30 + 50°C	55506411	55506412	55506414	55506415
0 + 60°C	55505211	55505212	55505214	55505215
0 + 80°C	55505311	55505312	55505314	55505315
0 + 100°C	55506311	55506312	55506314	55506315
0 + 120°C	55505411	55505412	55505414	55505415
0 + 160°C	55505511	55505512	55505514	55505515
0 + 200°C	55505911	55505912	55505914	55505915
0 + 250°C	55505611	55505612	55505614	55505615
0 + 300°C	55505811	55505812	55505814	55505815
0 + 400°C	55506711	55506712	55506714	55506715
0 + 500°C	55506811	55506812	55506814	55506815
0 + 600°C	55506911	55506912	55506914	55506915

# Thermometer

type 5550/4 stainless steel

adjustable stem - with weld-in thermowell TW55 type D

E 10.03.02

## Code number for thermometer 5550/4

Thermometer 5550/4 dim 100 mm  
adjustable stem Ø 6 mm  
and compression fitting M18x1,5

Completed with weld-in thermowell TW55 type D  
Material certificate 3.1 EN 10204  
Wetted parts material with mill certificate  
incl. chemical analysis  
Charge number and material designation



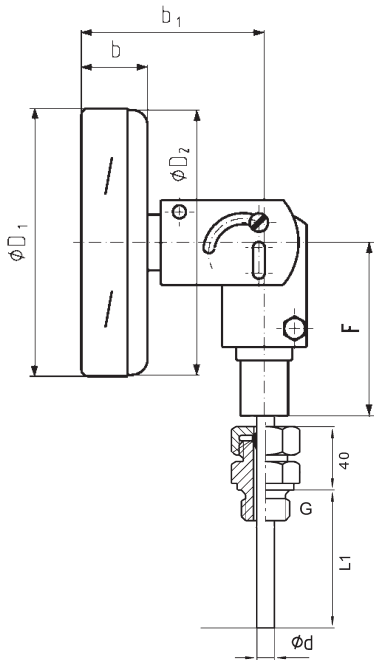
Thermometer 5550/4 dim 100 with TW55 <b>1.7335/13CrMo4-5</b>	D 1	D 2	D 4	D 5
		L1-130x6	L1-195x6	L1-195x6
-30 + 50°C	55506421	55506422	55506424	55506425
0 + 60°C	55505221	55505222	55505224	55505225
0 + 80°C	55505321	55505322	55505324	55505325
0 + 100°C	55506321	55506322	55506324	55506325
0 + 120°C	55505421	55505422	55505424	55505425
0 + 160°C	55505521	55505522	55505524	55505525
0 + 200°C	55505921	55505922	55505924	55505925
0 + 250°C	55505621	55505622	55505624	55505625
0 + 300°C	55505821	55505822	55505824	55505825
0 + 400°C	55506721	55506722	55506724	55506725
0 + 500°C	55506821	55506822	55506824	55506825
0 + 600°C	55506921	55506922	55506924	55506925

# Thermometer

type 5550/4 stainless steel

adjustable stem - with weld-in thermowell TW55 type D

E 10.03.02



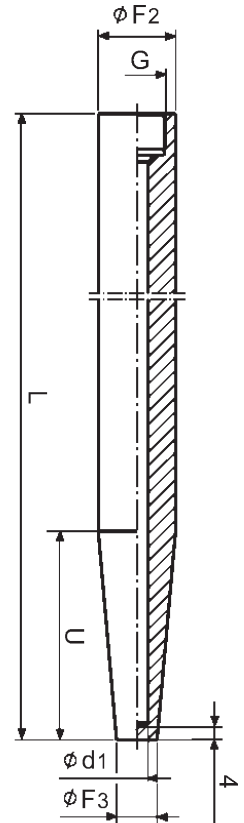
Type	Dim	d	D1	D2	b	b1	F	G
5550/4	100	6	101	99	25	68	68	M18x1,5
5551/4	160	6	161	159	25	68	68	M18x1,5

### Immersion length

L1-130 mm for thermowell type D 1  
L1-195 mm for thermowell type D 2 and D 4  
L1-255 mm for thermowell type D 5

### Weld-in thermowell TW55 type D

Type	L	U	F2	F3	N	d1
D 1	140	65	24	12,5	M18x1,5	7
D 2	200	125	24	12,5	M18x1,5	7
D 4	200	65	24	12,5	M18x1,5	7
D 5	260	125	24	12,5	M18x1,5	7



### Connection piece D-45

Connection piece. Material certificate 3.1 EN 10204  
Wetted parts material with mill certificate incl. chemical analysis  
Chargennummer och materialbeteckning

Material - standard	Art.nr
Carbon steel P250GH (1.0460) (C22.8)	75401000
Stainless steel 1.4571	75401010
Carbon steel 1.7335 (13CrMo4-5)	75401020



Material - special	Art.nr
Stainless steel 1.4404	75401023
Chromium/Molybdenum alloy steel F91	75401026
Stainless steel Duplex F51 (1.4462)	75401022
Stainless steel Duplex 1.4539	75401024
Carbon Steel A105	75401025
Carbon steel 1.7380 (10CrMo910)	75401031
Carbon steel 1.5415 (15Mo3/16Mo3)	75401028
Stainless steel 304/304L (1.4307)	75401034
Stainless steel 1.4541	75401029
Stainless steel 1.4301	75401032
Hastelloy C-276	75401033

